

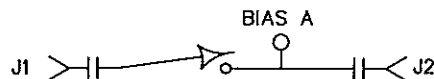
## DESCRIPTION

AMC MODEL SWN-2184-1DT-STANDARD OPTION: 818, HSB05, HPR1W, -12VDC IS AN ABSORPTIVE/NON-REFLECTIVE HIGH SPEED, HIGH POWER SINGLE POLE SINGLE THROW SWITCH DESIGNED TO OPERATE OVER THE FULL 8 TO 18 GHz FREQUENCY RANGE.

## SPECIFICATIONS

- FREQUENCY RANGE: ..... 8 TO 18 GHz
- INSERTION LOSS: ..... 3.5 dB MAXIMUM
- ISOLATION: ..... 60 dB MINIMUM
- VSWR: ..... 2.0:1
- RISE TIME ..... 10 nSec
- POWER INPUT: ..... (CW)+30 dBm (STANDARD)
- SURVIVAL POWER: ..... 10 WATTS PEAK 1 uSec
- CONTROL: ..... TTL LOGIC "0" = ON  
TTL LOGIC "1" = OFF
- POWER SUPPLY: ..... +5V @ 100 mA MAXIMUM  
-12V @ 100 mA MAXIMUM
- CONNECTORS:  
RF: ..... SMA FEMALE  
CONTROL: ..... SOLDER PIN
- SIZE: ..... 1.00" (L) x 1.00" (W) x 0.50" (H)
- WEIGHT: ..... < 1.5 OUNCE

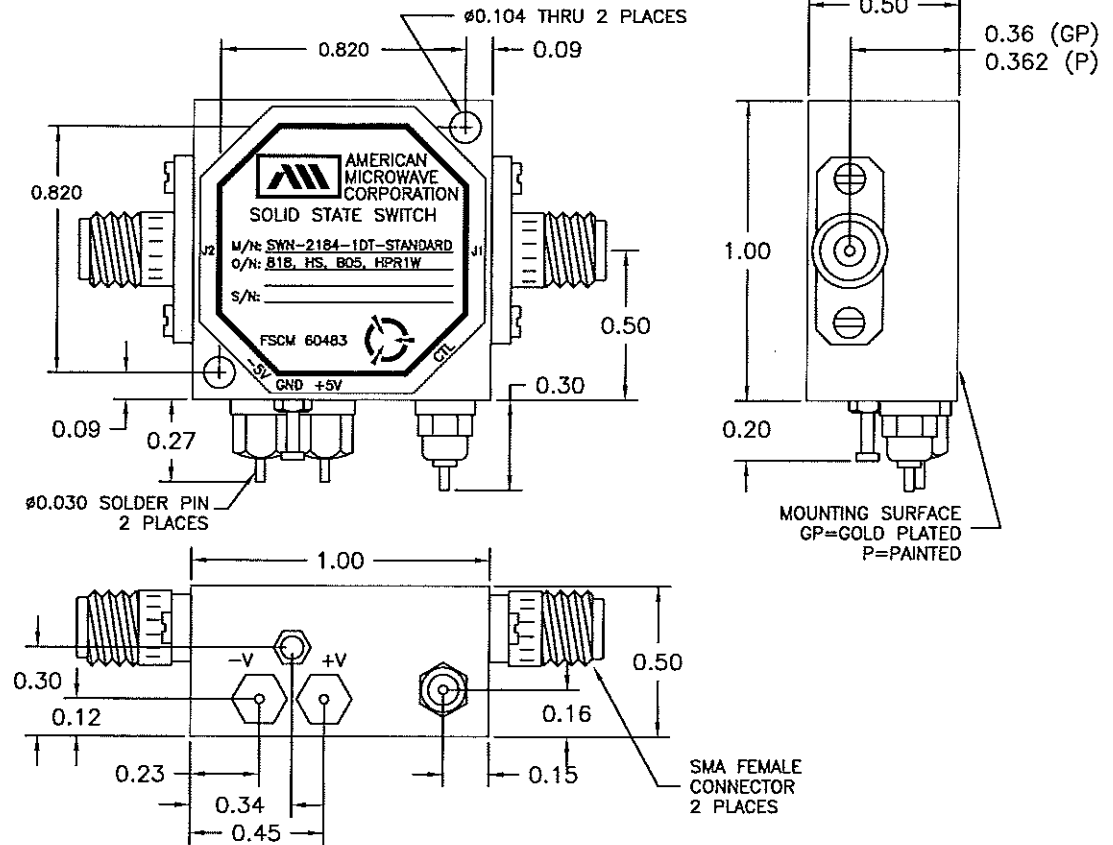
## BLOCK DIAGRAM



## ENVIRONMENTAL RATINGS

- TEMPERATURE: ..... -55°C TO +85°C (OPERATING)  
-65°C TO +125°C (STORAGE)
- HUMIDITY: ..... MIL-STD-202F, METHOD 103B COND. B
- SHOCK: ..... MIL-STD-202F, METHOD 213B COND. B
- VIBRATION: ..... MIL-STD-202F, METHOD 204D COND. B
- ALTITUDE: ..... MIL-STD-202F, METHOD 105C COND. B
- TEMPERATURE CYCLE: ..... MIL-STD-202F, METHOD 107D COND. A

NOTE: SPECIFICATIONS WILL VARY OVER OPERATING TEMPERATURE  
NOTE: THE ABOVE SPECIFICATIONS ARE SUBJECT TO CHANGE OR REVISION



REVISIONS				
ZONE	REV.	DESCRIPTION	DATE	APPROVED
	-	ORIGINAL RELEASE JOB# 409233X	11/29/04	<i>[Signature]</i>

## AMERICAN MICROWAVE CORPORATION

7311-G GROVE ROAD  
FREDERICK, MARYLAND 21704 USA  
TEL: 301-662-4700 FAX: 301-662-4938  
WEBSITE: [www.americanmicrowavecorp.com](http://www.americanmicrowavecorp.com)  
E-MAIL: [sales@americanmicrowavecorp.com](mailto:sales@americanmicrowavecorp.com)  
ISO 9001:2000 CERTIFIED

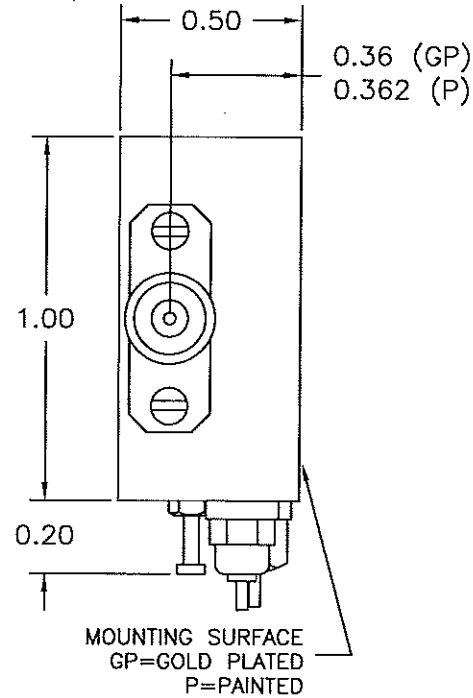
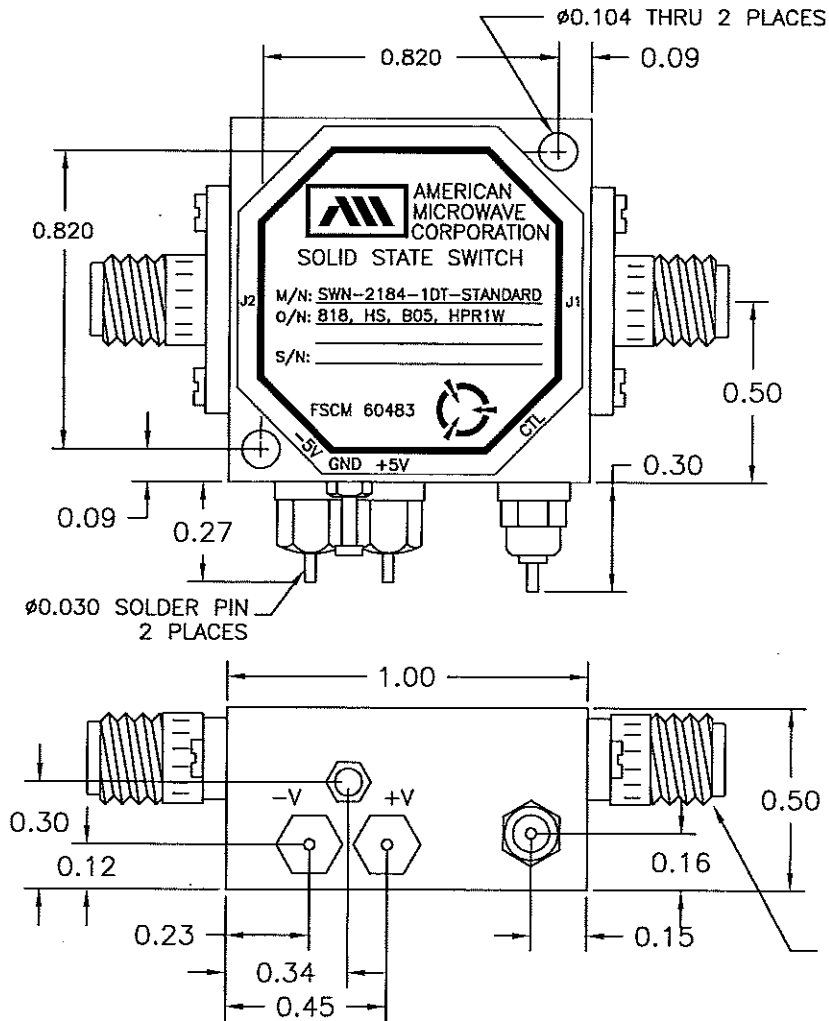


APPROVALS		DATE	TITLE		
DRAWN <i>[Signature]</i>		11/29/04	PRODUCT FEATURE		
CHECKED <i>[Signature]</i>		11/29/04	SWN-2184-1DT-STANDARD		
ISSUED			OPTION: 818, HSB05, HPR1W, -12VDC		
SIZE	FSCM NO.	DWG NO.	8-18 GHz, SINGLE POLE SINGLE THROW SWITCH		
A	60483	100-7211-002			
SCALE N:S		SHEET		1 OF 3	

ALL DIMENSIONS ARE IN INCHES  
TOLERANCES:  
X.XX ±0.020  
X.XXX ±0.010

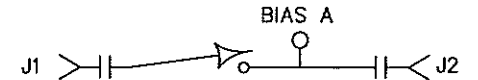
# DESCRIPTION

AMC MODEL SWN-2184-1DT-STANDARD OPTION: 818, HSB05, HPR1W, -12VDC IS AN ABSORPTIVE/NON-REFLECTIVE HIGH SPEED, HIGH POWER SINGLE POLE SINGLE THROW SWITCH DESIGNED TO OPERATE OVER THE FULL 8 TO 18 GHz FREQUENCY RANGE.



## MECHANICAL OUTLINE

## BLOCK DIAGRAM



## AMERICAN MICROWAVE CORPORATION

7311-G GROVE ROAD  
 FREDERICK, MARYLAND 21704 USA  
 TEL: 301-662-4700 FAX: 301-662-4938  
 WEBSITE: [www.americammicrowavecorp.com](http://www.americammicrowavecorp.com)  
 E-MAIL: [sales@americammicrowavecorp.com](mailto:sales@americammicrowavecorp.com)  
 ISO 9001:2000 CERTIFIED



ALL DIMENSIONS ARE IN INCHES  
 TOLERANCES:  
 X.XX ±0.020  
 X.XXX ±0.010

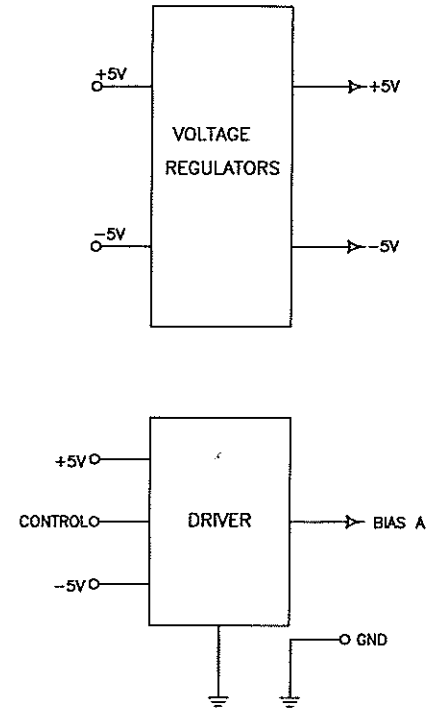
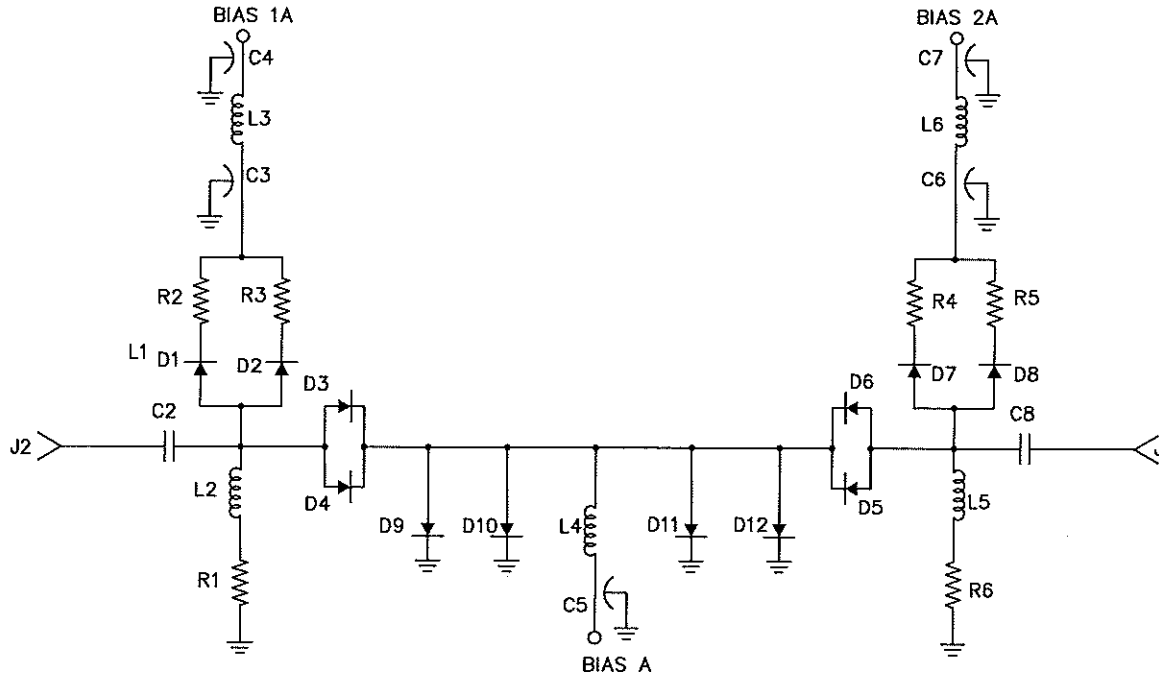
APPROVALS		DATE	TITLE		
DRAWN <i>JDJ</i>		11/29/04	MECHANICAL OUTLINE		
CHECKED <i>A</i>		1/8/08	SWN-2184-1DT-STANDARD		
ISSUED			SIZE	FSCM NO.	DWG NO.
			A	60483	100-7211-002
			SCALE N:S		SHEET 2 OF 3

**DESCRIPTION**

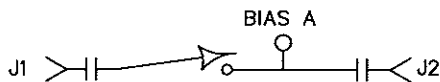
AMC MODEL SWN-2184-1DT-STANDARD OPTION: 818, HSB05, HPR1W, -12VDC IS AN ABSORPTIVE/NON-REFLECTIVE HIGH SPEED, HIGH POWER SINGLE POLE SINGLE THROW SWITCH DESIGNED TO OPERATE OVER THE FULL 8 TO 18 GHz FREQUENCY RANGE.

DATE 11/29/04 APPROVED

**FUNCTIONAL BLOCK DIAGRAM**



**BLOCK DIAGRAM**



**CONFIDENTIAL AND PROPRIETARY**

**AMERICAN MICROWAVE CORPORATION**

7311-G GROVE ROAD  
 FREDERICK, MARYLAND 21704 USA  
 TEL: 301-662-4700 FAX: 301-662-4938  
 WEBSITE: [www.americanmicrowavecorp.com](http://www.americanmicrowavecorp.com)  
 E-MAIL: [sales@americanmicrowavecorp.com](mailto:sales@americanmicrowavecorp.com)  
 ISO 9001:2000 CERTIFIED



APPROVALS		DATE		TITLE			
DRAWN		11/29/04		FUNCTIONAL BLOCK DIAGRAM			
CHECKED		1/16/05		SWN-2184-1DT-STANDARD			
ISSUED				SIZE	FSCM NO.	DWG NO.	REV.
				A	60483	100-7211-002	-
				SCALE	SHEET		3 OF 3
				N:S			